

WOOD BURNING
INSERTS

CATALYTIC-FREE | EPA 2020 CERTIFIED



TRADITIONAL SERIES

WOOD BURNING INSERTS



SUPER INSERT LE - METALLIC BLACK DOOR

Designed to deliver efficient combustion and controlled heat, Pacific Energy wood inserts are easy to light, easy to use, and provide a clear view of the flame. With variable speed fans, clean-glass airwash technology and heavy-gauge steel construction, our inserts will provide many years of comfort and enjoyment.

NEO SERIES

WOOD BURNING INSERTS



NEO 1.6 INSERT LE - STAINLESS STEEL FRONT TRIM

Make your existing masonry fireplace a significant source of wood heat with the contemporary style of the Neo series inserts. Built with heavy-gauge steel, these wood inserts features our industry-leading secondary combustion system, our unique high capacity stainless steel baffle and advanced heat exchanger technology for exceptional clean-burning, efficient performance.

up to
1500
sq ft



VISTA INSERT LE

up to
2000
sq ft



SUPER INSERT LE

up to
3000
sq ft



SUMMIT INSERT LE

up to
1500
sq ft



NEO INSERT 1.6 LE

up to
2000
sq ft



NEO INSERT 2.5 LE

FRONT TRIM CHOICES

Neo series inserts are customizable with two front trim finishes.

Metallic Black



Stainless Steel



ALDERLEA SERIES

WOOD BURNING INSERTS



ALDERLEA T5 CLASSIC INSERT LE – ANTIQUE WHITE



BUILD YOUR STOVE
pacificenergy.net/build-your-stove



SUPER INSERT LE – BRUSHED NICKEL DOOR

Transform your fireplace into an efficient heating system and enjoy the traditional cast iron styling of the Alderlea T5 Insert LE. Choose from rich metallic black or the added beauty and charm of lustrous porcelain enamel to create a striking centerpiece that provides long-lasting, clean-burning heat.

up to
2000
sq ft

up to
2000
sq ft



ALDERLEA T5 INSERT LE

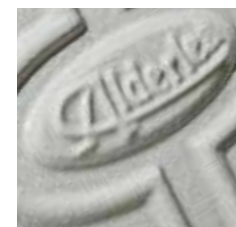


ALDERLEA T5 CLASSIC INSERT LE

PORCELAIN ENAMEL OPTIONS

Classic inserts are available in two porcelain enamel colors.

Antique White



Majolica



ALDERLEA T5 CLASSIC INSERT LE – MAJOLICA



VISTA INSERT LE – NICKEL DOOR



NEO 1.6 INSERT LE – STAINLESS STEEL SURROUND

EPA 2020
CERTIFIED

2
GRAMS
PER
HOUR
OR LESS

All Pacific Energy wood inserts come with these industry leading features:

- EPA 2020 Certified
- Reliable, durable, catalytic-free technology
- High capacity baffle system
- Multi-port combustion air injection system
- Air wash system for super clean ceramic glass
- Inside and outside combustion air capable
- Floating firebox for extended stove life
- Single-Lever Air Control



VISTA INSERT LE

For spaces up to 1500 sq. ft.

Heat Output Cord Wood
56,000 BTU

23,200 BTU EPA Test Fuel

Efficiency (HHV)	72%
Emissions	1.9 gm/hr.
Log Size (recommended)	16"
Log Size (max)	17"
Firebox Size	1.6 cu.ft.
Viewing Area	152 sq.in.



SUPER INSERT LE

For spaces up to 2000 sq. ft.

Heat Output Cord Wood
72,000 BTU

38,200 BTU EPA Test Fuel

Efficiency (HHV)	71.3%
Emissions	1.8 gm/hr.
Log Size (recommended)	16"
Log Size (max)	18"
Firebox Size	2.1 cu.ft.
Viewing Area	122 sq.in.



SUMMIT INSERT LE

For spaces up to 3000 sq. ft.

Heat Output Cord Wood
99,000 BTU

41,275 BTU EPA Test Fuel

Efficiency (HHV)	74%
Emissions	1.8 gm/hr.
Log Size (recommended)	18"
Log Size (max)	20"
Firebox Size	3.0 cu.ft.
Viewing Area	153 sq.in.



NEO 1.6 INSERT LE

For spaces up to 1500 sq. ft.

Heat Output Cord Wood
56,000 BTU

23,200 BTU EPA Test Fuel

Efficiency (HHV)	72%
Emissions	1.9 gm/hr.
Log Size (recommended)	16"
Log Size (max)	17"
Firebox Size	1.6 cu.ft.
Viewing Area	147 sq.in.



NEO 2.5 INSERT LE

For spaces up to 2000 sq. ft.

Heat Output Cord Wood
85,000 BTU

60,000 BTU EPA Test Fuel

Efficiency (HHV)	71.3%
Emissions	2.0 gm/hr.
Log Size (recommended)	16"
Log Size (max)	18"
Firebox Size	2.5 cu.ft.
Viewing Area	166 sq.in.



ALDERLEA T5 INSERT LE

For spaces up to 2000 sq. ft.

Heat Output Cord Wood
72,000 BTU

38,200 BTU EPA Test Fuel

Efficiency (HHV)	71.3%
Emissions	1.8 gm/hr.
Log Size (recommended)	16"
Log Size (max)	18"
Firebox Size	2.1 cu.ft.
Viewing Area	163 sq.in.

VISTA INSERT LE

STANDARD FEATURES

Rich metallic black finish
304 Steel Baffle, Tubes, Rails and Flame Shield
Removable flue collar for easier installation
Boost air for easy lighting
2 x 80 cfm temperature-actuated variable-speed blowers
6" flue outlet
East-West loading

DESIGN OPTIONS

Arched door: choice of three finishes
Embossed surround, standard size (37" x 28")
Embossed surround, oversize (42" x 30")

SUPER INSERT LE

STANDARD FEATURES

Extended Burn Technology (EBT)
304 Stainless Steel Baffle, insulation cover, rails and flame shield
Removable flue collar for easier installation
Boost air for easy lighting
Rich Metallic black finish
Cast iron warming shelf & ash lip
Two temperature-actuated variable-speed blowers
6" flue outlet
North-South loading

DESIGN OPTIONS

Arched door: choice of three finishes
Embossed surround, standard size (43" x 29")
Embossed surround, oversize (48" x 33")

SUMMIT INSERT LE

STANDARD FEATURES

Extended Burn Technology (EBT)
304 Stainless Steel Baffle, insulation cover, rails and flame shield
Removable flue collar for easier installation
Boost air for easy lighting
Rich Metallic black finish
Cast iron warming shelf & ash lip
Easy and safe front to back fuel loading
Two temperature-actuated variable-speed blowers
6" flue outlet
North-South loading

DESIGN OPTIONS

Arched door: choice of three finishes
Embossed surround, standard size (50 3/8" x 32 1/4")
Embossed surround, oversize (54 3/8" x 34 1/4")

NEO 1.6 INSERT LE

STANDARD FEATURES

Rich metallic black finish
304 Stainless Steel Baffle, Tubes* insulation cover, rails and flame shield
High-tech multi-port combustion air injection system
Removable Cast-Iron Flue Collar
Integrated Heat Exchanger
6" flue outlet
East-West loading

DESIGN OPTIONS

Contemporary front trim in Metallic Black or Stainless Steel
Standard backing plate (36" x 26")
Oversize backing plate (46" x 30")

PERFORMANCE OPTIONS

2x80 cfm temperature actuated variable speed blowers

NEO 2.5 INSERT LE

STANDARD FEATURES

Rich metallic black finish
304 Stainless Steel Baffle, insulation cover, rails and flame shield
High-tech multi-port combustion air injection system
Extended Burn Technology (EBT)
Removable Cast-Iron Flue Collar
Integrated Heat Exchanger
6" flue outlet
East-West loading

DESIGN OPTIONS

Contemporary front trim in Metallic Black or Stainless Steel
Standard backing plate (40" x 28 3/8")
Oversize backing plate (48" x 31 7/8")

PERFORMANCE OPTIONS

2x80 cfm temperature actuated variable speed blowers

ALDERLEA T5 INSERTS

STANDARD FEATURES

Extended Burn Technology (EBT)
304 Stainless Steel Baffle, insulation cover, rails and flame shield
Boost air for easy lighting
Cast iron warming shelf & ash lip
Two temperature-actuated variable-speed blowers
6" flue outlet
Removable flue collar
North-South loading

DESIGN OPTIONS

Metallic Black or porcelain enamel finish in Majolica or Antique White
Standard surround (42 1/2" x 30 3/8")
Oversized surround (42 1/2" x 34 1/8")



Pacific Energy Traditional Inserts are customizable in your choice of door finishes. Available in Nickel, Metallic Black and Brushed Nickel.

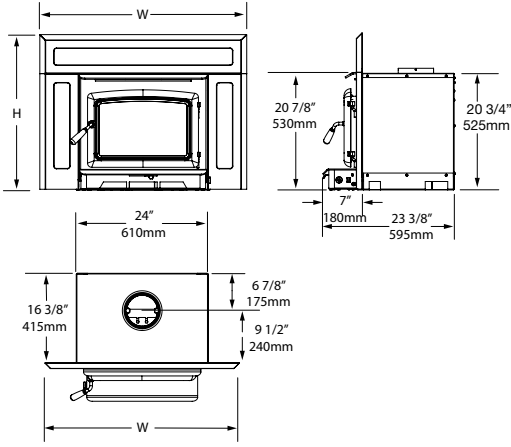


Pacific Energy Neo series inserts are customizable with your choice of Metallic Black or Stainless Steel front trims.

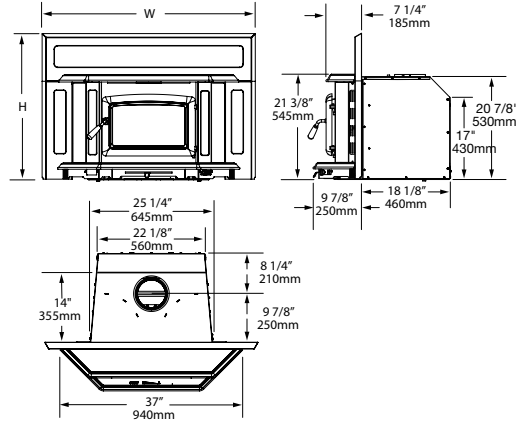
Alderlea series inserts are customizable with your choice of painted metallic black finish or two striking porcelain enamel finishes – Antique White or Majolica Brown.



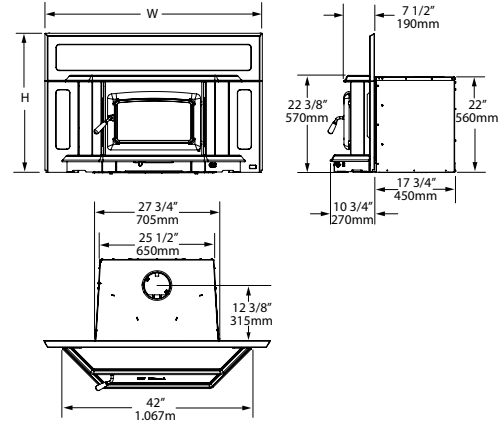
VISTA INSERT LE



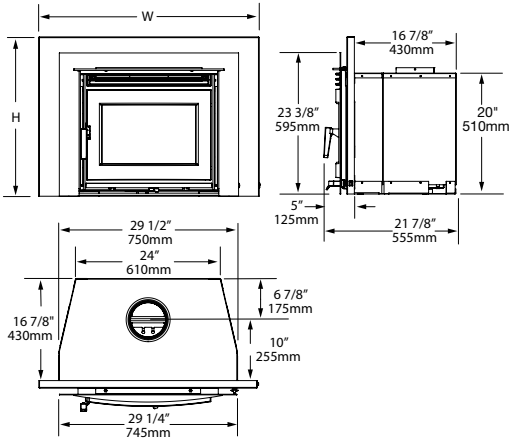
SUPER INSERT LE



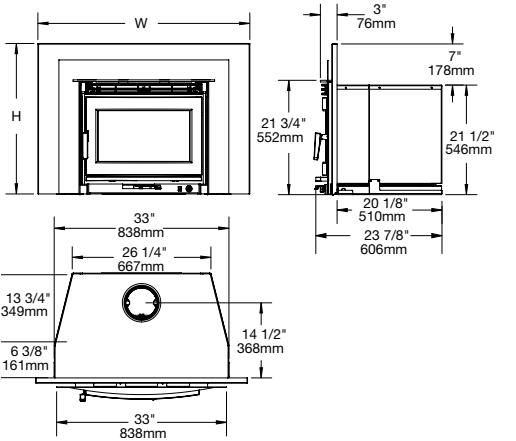
SUMMIT INSERT LE



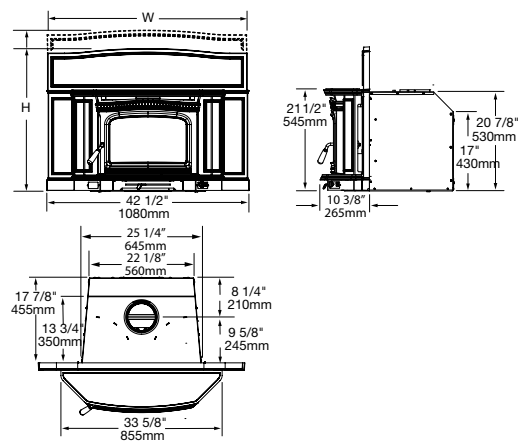
NEO 1.6 INSERT LE



NEO 2.5 INSERT LE



ALDERLEA T5 INSERT LE



INSTALLATION

CLEARANCES TO COMBUSTIBLES

	A	B*	C	D (Can)	D (USA)	E
NEO 1.6 INSERT LE ¹	9 1/2"	13"	13"	18"	16"	8"
NEO 2.5 INSERT LE ¹	11 1/2"	16"	15"	18"	16"	8"
VISTA INSERT LE ¹	9 1/2"	13"	13"	18"	16"	8"
SUPER INSERT LE ²	6"	12"	10"	18"	16"	8"
SUMMIT INSERT LE ²	8"	15"	8"	18"	16"	8"
ALDERLEA T5 INSERT LE ²	6"	12"	10"	18"	16"	8"

MINIMUM FIREPLACE OPENING

A	B	C	D
20 1/4"	30"	17"	24 1/2"
22"	34"	20"	26 1/2"
21"	24 1/2"	17"	24 1/2"
21"	26"	18 3/8"	22 1/2"
22 1/2"	28 1/4"	19"	26 1/4"
21"	26"	18 3/8"	22 1/2"

SURROUND SIZES

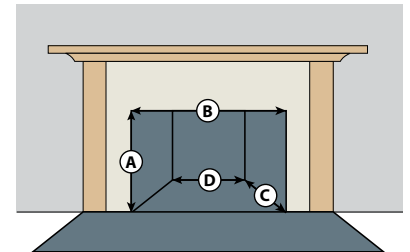
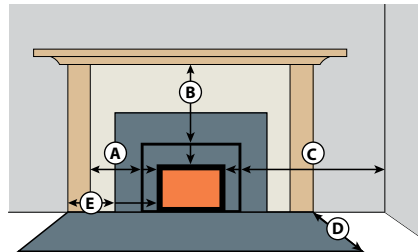
STANDARD		OVERSIZE	
Width (W)	Height (H)	Width (W)	Height (H)
36"	26"	46"	30"
40"	28 3/8"	48"	31 7/8"
37"	28"	42"	30"
43 3/8"	29 3/16"	48"	33"
50 3/8"	32 1/4"	54 3/8"	34 1/4"
42 1/2"	29 3/8"	42 1/2"	33 1/8"

(1) Distances are from Firebox Side. (2) Distances are from the Blower Covers. (*)Distances are from the top.



Pacific Energy is committed to continuous product improvement and innovation. As a result, appearance and specifications of the products featured in this brochure are subject to change without notice. For more information, please visit pacificenergy.net

SKU: 11900070 02/22/10M - Printed in Canada



For reference only. Installations should be based on manuals and rating labels. Specifications subject to change.



@pacificenergyfireplaceproducts

Follow us on Facebook and Instagram for news, promotions, and inspiring installations.

WOOD STOVES

TRADITIONAL

CATALYTIC-FREE | EPA 2020 CERTIFIED

**PACIFIC
ENERGY**



FEATURING
LE2
PRODUCTS

TRADITIONAL SERIES

FREESTANDING WOOD STOVES



Keep small to large spaces warm and comfortable with the highly efficient and durable Vista, Super, and Summit woodstoves. Designed for exceptional heat output and long burn times, the Vista is an excellent choice for heating spaces from 500 to 1500 square feet, the Super - our most popular stove - for heating spaces up to 2000 square feet, and the Summit for larger spaces and long, cold winter nights.

SUPER LE - METALLIC BLACK DOOR WITH OPTIONAL ASH PAN

up to
1500
sq ft



VISTA LE2

up to
2000
sq ft



SUPER LE

up to
3000
sq ft



SUMMIT LE



BUILD YOUR STOVE
www.pacificenergy.net/product-builder



VISTA LE2 – BRUSHED NICKEL DOOR



SUPER LE – METALLIC BLACK DOOR

CLASSIC SERIES

FREESTANDING WOOD STOVES
WITH PORCELAIN ENAMEL



Enjoy the impressive performance and outstanding features of the Vista, Super, Summit fireboxes beautifully clad in rich, lustrous porcelain enamel. The Classic Collection delivers Pacific Energy's breakthrough heating performance, easy operation, and choices of elegant porcelain enamel cladding, door, leg and trivet finishes.

SUMMIT CLASSIC LE – SUNSET RED

up to
1500
sq ft



VISTA CLASSIC LE2 – IVORY

up to
2000
sq ft



SUPER CLASSIC LE – EBONY

up to
3000
sq ft



SUMMIT CLASSIC LE – SUNSET RED



BUILD YOUR STOVE
pacifcenergy.net/product-builder

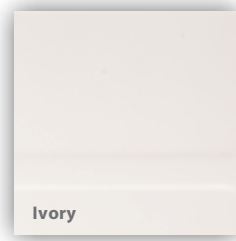


SUMMIT CLASSIC LE – IVORY

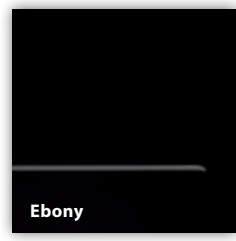
PORCELAIN ENAMEL OPTIONS

Classic stoves are available in three porcelain enamel colors.

Optional colors are available, please see Dealer.



Ivory



Ebony



Sunset Red

DECORATIVE TRIVET OPTIONS



Nickel



Metallic Black

**EPA 2020
CERTIFIED**



All Pacific Energy Wood Stoves come standard with these industry leading features:

- EPA 2020 Certified
- High capacity baffle system
- Multi-port combustion air injection system
- Air wash system for super clean ceramic glass
- Inside and outside combustion air capable
- Floating firebox for extended stove life
- Single-Lever Air Control
- Mobile Home Approved



VISTA LE2 VISTA CLASSIC LE2

For spaces up to 1500 sq. ft.

Heat Output Cord Wood
54,000 BTU

30,150 BTU EPA Test Fuel

Efficiency (HHV)	75.4%
Emissions	1.6 gm/hr.
Log Size (recommended)	16"
Log Size (max)	18"
Firebox Size	1.4 cu.ft.
Viewing Area	152 sq.in.
Max Burn Time (Approx)	7-10 Hours ¹

SUPER LE SUPER CLASSIC LE

For spaces up to 2000 sq. ft.

Heat Output Cord Wood
72,000 BTU

38,200 BTU EPA Test Fuel

Efficiency (HHV)	71.3%
Emissions	1.8 gm/hr.
Log Size (recommended)	16"
Log Size (max)	18"
Firebox Size	2.1 cu.ft.
Viewing Area	122 sq.in.
Max Burn Time (Approx)	7-10 Hours ¹

SUMMIT LE SUMMIT CLASSIC LE

For spaces up to 3000 sq. ft.

Heat Output Cord Wood
99,000 BTU

41,275 BTU EPA Test Fuel

Efficiency (HHV)	74%
Emissions	1.8 gm/hr.
Log Size (recommended)	18"
Log Size (max)	20"
Firebox Size	2.5 cu.ft.
Viewing Area	153 sq.in.
Max Burn Time (Approx)	9-12 Hours ¹

VISTA LE2

STANDARD FEATURES

ACMS (Advanced Combustion Management System)
Reliable, durable, catalytic-free technology
304 Stainless Steel Baffle, Rails and Flame Shield
East-West loading

DESIGN OPTIONS

Rich metallic black finish
Pedestal base
Legs: choice of three finishes
Arched door: choice of three finishes

VISTA CLASSIC LE2

Porcelain enamel: choice of three colors
Legs: choice of three finishes
Arched door: choice of three finishes
Decorative trivet: choice of two finishes

PERFORMANCE OPTIONS

Temperature-Actuated Variable-Speed Blower
Easy-to-use ash disposal system (optional on Vista; included with Vista Classic)

SUPER LE

STANDARD FEATURES

Reliable, durable, catalytic-free technology
Extended Burn Technology (EBT)
304 Stainless Steel Baffle, Rails and Flame Shield
North-South loading

DESIGN OPTIONS

Rich metallic black finish
Pedestal base
Legs: choice of three finishes
Arched door: choice of three finishes

SUPER CLASSIC LE

Porcelain enamel: choice of three colors
Legs: choice of three finishes
Arched door: choice of three finishes
Decorative trivet: choice of two finishes

PERFORMANCE OPTIONS

Temperature-Actuated Variable-Speed Blower
Easy-to-use ash disposal system (optional on Super; included with Super Classic)

SUMMIT LE

STANDARD FEATURES

Reliable, durable, catalytic-free technology
Extended Burn Technology (EBT)
304 Stainless Steel Baffle, Rails and Flame Shield
North-South loading

DESIGN OPTIONS

Rich metallic black finish
Pedestal base
Legs: choice of three finishes
Arched door: choice of three finishes

SUMMIT CLASSIC LE

Porcelain enamel: choice of three colors
Legs: choice of three finishes
Arched door: choice of three finishes
Decorative trivet: choice of two finishes

PERFORMANCE OPTIONS

Temperature-Actuated Variable-Speed Blower
Easy-to-use ash disposal system (optional on Summit; included with Summit Classic)

¹Burn times depend on draft, fuel, loading, and user input.



BAFFLE SYSTEM

Pacific Energy leads the industry in premium clean burn technology. Our unique high capacity baffle system preheats secondary combustion air for an extremely effective reburn. By burning the combustible elements in the air, we improve our stove's environmental performance while significantly reducing the amount of wood consumed.



Pacific Energys Extended Burn Technologies



ACMS

The Advanced Combustion Management System (ACMS) is the next evolution of EBT. It further improves burn times, efficiency, and emissions by intelligently fine tuning combustion air.

EBT2

The second generation of Extended Burn Technology, the EBT2 is field proven to be highly effective at controlling the secondary burn system, extending burn times and reducing overall emissions.

Pacific Energy Secondary Combustion System

Pacific Energy's legendary secondary combustion system reburns the smoke from the primary fire making one of the cleanest, most reliable and maintenance free systems available. High quality stainless steel makes sure that you have years of trouble-free use. There is no bypass or catalytic combustors.



SELF SEALING ASH DUMP SYSTEM

Our self-sealing ash dump system, with its spring-loaded trap door provides a time saving, hassle-free ash removal solution that, frankly, has yet to be equaled. Pacific Energy's machined steel, spring loaded ash removal system is opened from outside the stove and closes automatically for safety and convenience when you're done.



KNIFE EDGE DOOR

A formed and welded knife edge opening creates a superior air-tight seal to the door gasket while strengthening the stove face.

DESIGN-A-FIRE
A SYSTEM BY PACIFIC ENERGY

Pacific Energy Wood Stoves are customizable in your choice of door and leg finishes. Available in Nickel, Metallic Black and Brushed Nickel.

FLOATING FIREBOX

All fireboxes are subjected to wild extremes of temperatures. Solidly designed with steel brick support rails, our legendary floating system allows key parts to freely expand and contract to drastically reduce metal fatigue and add years of life to the entire appliance. The high capacity stainless steel baffle (part of the clean-burning secondary combustion system) and the flame shield (which protects the stove top from intense heat) are integral components of our legendary floating firebox system.

AIR WASH

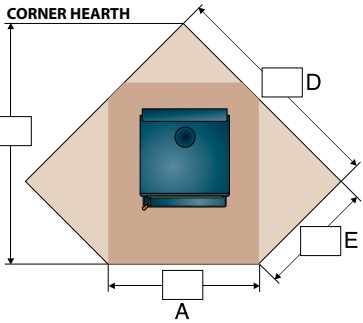
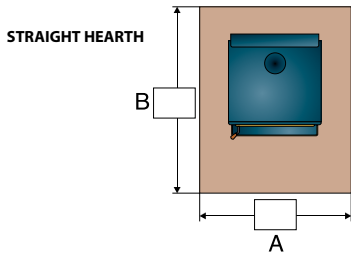
Pacific Energy developed the first effective air wash manifold systems, a design that flows pre-heated air to the glass surface to keep it clean. A refined design now creates a high-pressure zone in the center and forces air to flow from above and across the glass. Even at low air settings, we are confident that our air wash system is the most effective available. And that our glass doors are among the cleanest in the industry.



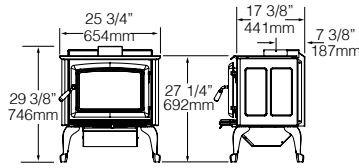
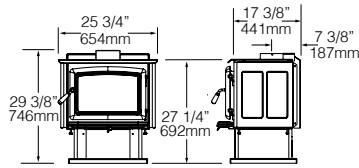
@pacificenergyfireplaceproducts

Follow us on Facebook and Instagram for news, promotions, and inspiring installations.

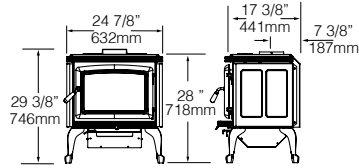
FLOOR PROTECTOR DIMENSIONS



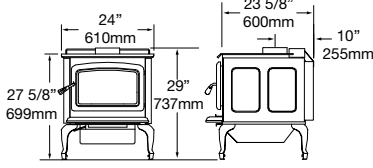
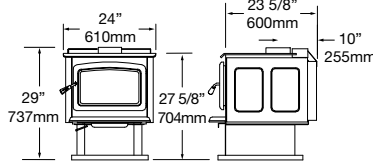
VISTA LE2



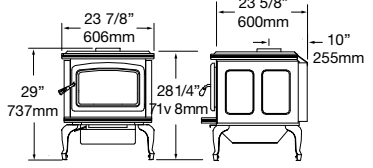
VISTA CLASSIC LE2



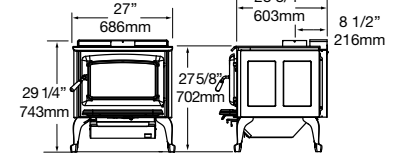
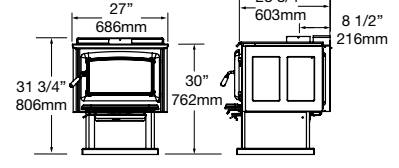
SUPER LE



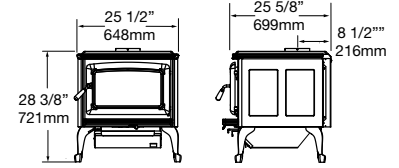
SUPER CLASSIC LE



SUMMIT LE



SUMMIT CLASSIC LE



CANADA

	VISTA LE2 & VISTA CLASSIC LE2					SUPER & SUPER CLASSIC					SUMMIT & SUMMIT CLASSIC				
	A	B	C	D	E	A	B	C	D	E	A	B	C	D	E
Minimum (Not necessarily extended to back wall)	40 3/4"	45"	-	-	-	39"	50 7/8"	-	-	-	42"	51"	-	-	-
Residential, single wall, vertical connector	40 3/4"	47"	57 3/4"	55 1/4"	26 3/8"	39"	50 7/8"	61 7/8"	57 1/2"	29 7/8"	42"	52"	62 7/8"	59 1/4"	29 5/8"
Residential, double wall, vertical connector	40 3/4"	45"	55"	53 1/4"	24 3/8"	39"	47 7/8"	57 5/8"	54 1/2"	26 7/8"	42"	50 1/2"	61 1/2"	58 1/4"	28 5/8"
Alcove, double wall, connector	40 3/4"	45"	-	-	-	39"	47 7/8"	-	-	-	42"	53"	-	-	-
Mobile home	40 3/4"	45"	55"	53 1/4"	24 3/8"	39"	47 7/8"	57 5/8"	54 1/2"	26 7/8"	42"	53"	65 5/8"	61 1/4"	31 5/8"

USA

	VISTA LE2 & VISTA CLASSIC LE2					SUPER & SUPER CLASSIC					SUMMIT & SUMMIT CLASSIC				
	A	B	C	D	E	A	B	C	D	E	A	B	C	D	E
Minimum (Not necessarily extended to back wall)	33 3/8"	35"	-	-	-	34"	40 3/4"	-	-	-	35"	41"	-	-	-
Residential, single wall, vertical connector	33 3/8"	45"	55 3/4"	51 1/4"	27 5/8"	34"	48 3/4"	59 5/8"	54 1/8"	30 1/8"	35"	50"	60 7/8"	55 3/8"	30 5/8"
Residential, double wall, vertical connector	33 3/8"	43"	53"	49 1/4"	25 5/8"	34"	45 3/4"	55 3/8"	51 1/8"	27 1/8"	35"	48 1/2"	59 1/2"	54 3/8"	29 5/8"
Alcove, double wall, connector	33 3/8"	43"	-	-	-	34"	45 3/4"	-	-	-	35"	51"	-	-	-
Mobile home	33 3/8"	43"	53"	49 1/4"	25 5/8"	34"	45 3/4"	55 3/8"	51 1/8"	27 1/8"	35"	51"	63 5/8"	57 3/8"	32 5/8"

CLEARANCES TO COMBUSTIBLES

		From top of stove to ceiling	STRAIGHT (VERTICAL CONNECTOR)				CORNER		ALCOVE			
			A	B	C	D	E	F	G	H	I	J
			RESIDENTIAL SINGLE WALL CONNECTOR	VISTA LE2 & VISTA CLASSIC LE2	56 3/4"	10"	10"	17 3/8"	22 7/8"	7"	19 7/8"	10"
	SUPER & SUPER CLASSIC	56"	8"	14"	18"	26"	7"	21"	N/A	N/A	N/A	N/A
	SUMMIT & SUMMIT CLASSIC	54"	9"	14"	17 1/2"	27 1/2"	6"	20 3/4"	N/A	N/A	N/A	N/A
RESIDENTIAL DOUBLE WALL CONNECTOR	VISTA LE2 & VISTA CLASSIC LE2	56 3/4"	8"	8"	15 3/8"	20 7/8"	5"	17 7/8"	8"	8"	15 3/8"	20 7/8"
	SUPER & SUPER CLASSIC	56"	5"	14"	15"	26"	4"	18"	5"	14"	15"	26"
	SUMMIT & SUMMIT CLASSIC	54"	7 1/2"	13"	16"	26 1/2"	5"	19 3/4"	10"	16"	18 1/2"	29 1/2"
MOBILE HOME DOUBLE WALL CONNECTOR	VISTA LE2 & VISTA CLASSIC LE2	56 3/4"	8"	8"	15 3/8"	20 7/8"	5"	17 7/8"	8"	8"	15 3/8"	20 7/8"
	SUPER & SUPER CLASSIC	56"	5"	14"	15"	26"	4"	18"	5"	14"	15"	26"
	SUMMIT & SUMMIT CLASSIC	54"	10"	18"	18 1/2"	31 1/2"	8"	22 3/4"	N/A	N/A	N/A	N/A

For reference only. Installations should be based on manuals and rating labels. Specifications subject to change.



Pacific Energy is committed to continuous product improvement and innovation. As a result, appearance and specifications of the products featured in this brochure are subject to change without notice. For more information, please visit pacificenergy.net

